

# **SHARPE** **MIXERS**

## **SHARPE AIRLIFT MIXER STANDS**

**Air-Operated lift stands  
for portable mixers**



- Available in epoxy painted carbon steel and stainless-steel designs
- Heavy-Duty construction for sturdy operation and long trouble-free life
- Many sizes available : 36", 48" & 60" stroke
- Shown with optional Tank Positioning Clamp (tank strap not shown)
- Optional counter-weights available for balanced and smooth operation
- Fully adjustable for optimum performance
- Available with Wheeled Casters, Leveling Glides or bolt directly to the floor
- Polished models and plating available

*when quality counts*

**(800) 237-8815    [www.sharpemixers.com](http://www.sharpemixers.com)**



Adjustable Tank Positioning Arm and Ratchet Strap are available for precise and secure positioning of mixing tank. This option is especially useful as a safety measure to prevent the mixer stand from possible movement under vigorous mixing loads.



Optional casters include high-quality locking wheels and swivels.

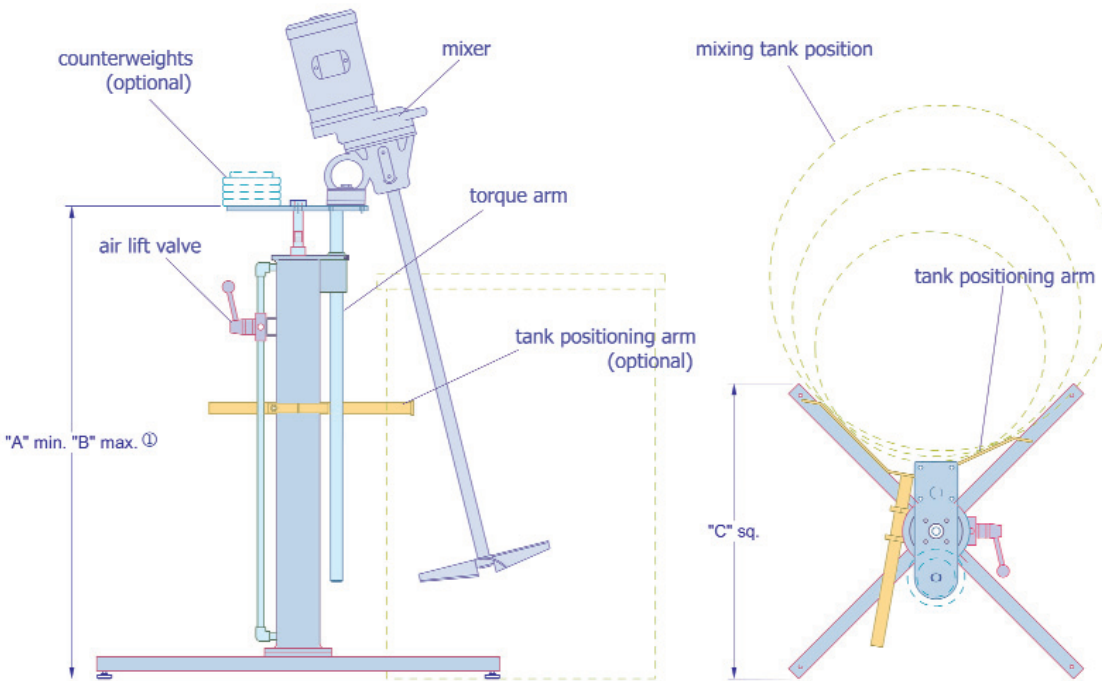
Sharpe Mixers' "ALS-Series" Air-Lift Mixer Stands are a result of uncompromising demands for quality and versatility. When a sturdy, compact, stable and easy-clean stand is required, Sharpe's unique design is clearly the best. The modular construction offers simple and precise adjustment for various applications, and allows for shipment via UPS on most sizes. The air cylinder is enclosed within a sealed column for protection and cleanliness. Long legs bolt onto the flanged column to create a wide and stable base. The ends of the legs are drilled for installation, or can be supplied with leveling glides or locking caster wheels for excellent mobility. The oversized cylinder ram is mated with a stainless torque arm and polyurethane glide bearing for smooth and stable operation. Chrome plated or solid stainless counterweights are available as well to balance the mixer weight.

Available options include:

- ✓ All-Stainless construction
- ✓ Chrome plating
- ✓ Fully adjustable Tank Positioning Arm
- ✓ 2" wide nylon Ratcheting Tank Strap
- ✓ Adjustable Leveling Glides (SS or plated)
- ✓ Locking Caster Wheels (SS or plated)
- ✓ Counterweights (SS or plated)
- ✓ Height-Lock positioning collar



Bulletin ALS-305



① add 3" to these dimensions when casters are supplied

# ALS

	ALS-36	ALS-48	ALS-60
"A"	46"	58"	70"
"B"	82"	106"	130"
"C"	31"	36"	48"
Wt, lbs*	101	130	160
Stroke	36"	48"	60"

\*approximate weights do not include weight of mixer or counterweights



P.O.Box 3906  
 Seattle, WA 98124  
 Ph: (800) 237-8815  
 Fax: (800) 767-5670