

SHARPE ELECTRIC-LIFT MIXER STANDS

*Stainless Steel
Lift Stands for
Portable Mixers*



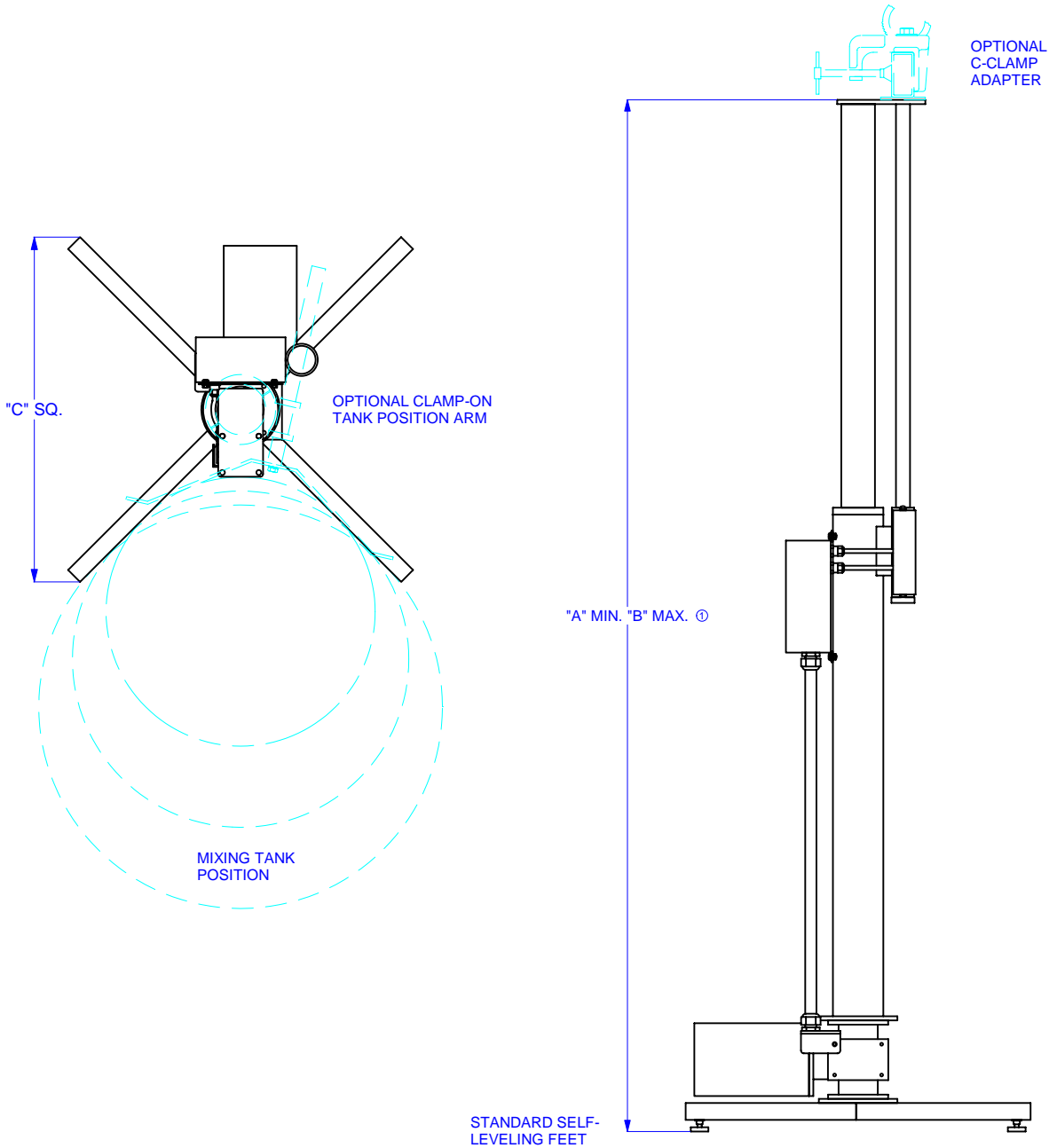
- SS316 construction
- Available in 36", 48" and 60" sizes
- Heavy-Duty construction for sturdy operation and long trouble-free life
- 1/2 hp SS Wash-Down motor standard
- Oversize SS worm gear drive standard
- Includes pendant switch for raising/lowering
- Available with locking tank positioning clamp and strap
- Shown with locking SS casters. Also available with leveling glides, or may be bolted directly to floor

**SHARPE
MIXERS**

(800) 237-8815 www.sharpemixers.com

OPTIONS

| | |
|--|--|
| STAND MATERIAL: <input type="checkbox"/> M/S <input type="checkbox"/> SS | BASE: <input type="checkbox"/> STD. X-LEGS <input type="checkbox"/> SQUARE BASE <input type="checkbox"/> OTHER: _____ |
| MIXER MOUNTING: <input type="checkbox"/> CUP PLATE <input type="checkbox"/> C-CLAMP | BASE MOUNTING: <input type="checkbox"/> STD. LEVELING FEET <input type="checkbox"/> CASTERS <input type="checkbox"/> NONE <input type="checkbox"/> OTHER: _____ |
| TANK ARM: <input type="checkbox"/> YES <input type="checkbox"/> NO | |

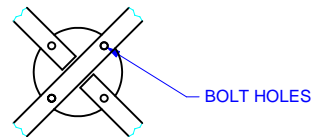


drawn by: MS Date: 1/20/09 revision: 0

| | ELS-36 | ELS-48 | ELS-60 |
|----------|--------|--------|--------|
| "A" | 56" | 68" | 80" |
| "B" | 92" | 116" | 140" |
| "C" | 31" | 36" | 57" |
| WT, LBS* | 180 | 200 | 220 |
| STROKE | 36" | 48" | 60" |

*APPROXIMATE AND DOES NOT INCLUDE WEIGHT OF MIXER
 Ⓞ ADD 3" TO THESE DIMENSIONS WHEN CASTERS ARE SUPPLIED

BOLTED BASE DESIGNED FOR EASY DISASSEMBLY, STORAGE, AND SHIPMENT



MIXER STAND LAYOUT

DWG NO.: A12969