



I Application

Ball valves, whether manually or automatically operated, are used mainly with viscous fluids containing solid particles, and, generally, in applications requiring an unobstructed flow. Suitable for the food-processing, beverage, wine-making, oil-making, cosmetic and chemical industries.

I Operating principle

The ball valve can be operated automatically with an actuator or manually with a handle. The handle blocks the valve in the "open" or "closed" position. The actuator transforms the axial movement of the piston into a 90° rotary movement which it transmits to the ball.

I Design and features

Compact and robust design.
Available in sizes DN 25/1" to DN 100/4".
Two-position handle.
Easily interchangeable manual handles and pneumatic or electrical actuators.
Low pressure losses.
Half-bodies exchangeable with any connection type.
DIN 11851 connections.
Marking of seals allows traceability.

I Materials

| | |
|----------------|--------------------------------|
| Ball | AISI 316L / 316 |
| Flanges | AISI 316L / 316 (forged) |
| Gasket | EPDM according to FDA 177.2600 |
| Handle | AISI 304 / PP |
| Surface finish | Hygienic polish |

I Options

Valve in AISI 304.
Seals in NBR, VMQ or FPM.
All of them according to FDA 177.2600
Connections: welding, DIN, Clamp, SMS, RJT, FIL-IDF, etc.
Handle, lever, safety handle with lock, etc.
Single- or double-acting pneumatic actuator or electrical actuator.
Position sensors (micro-switches or inductive).
C-TOP control head.
Cleaning and drainage connections.
Third hole.



Horizontal actuator

Third hole



Distributed by:

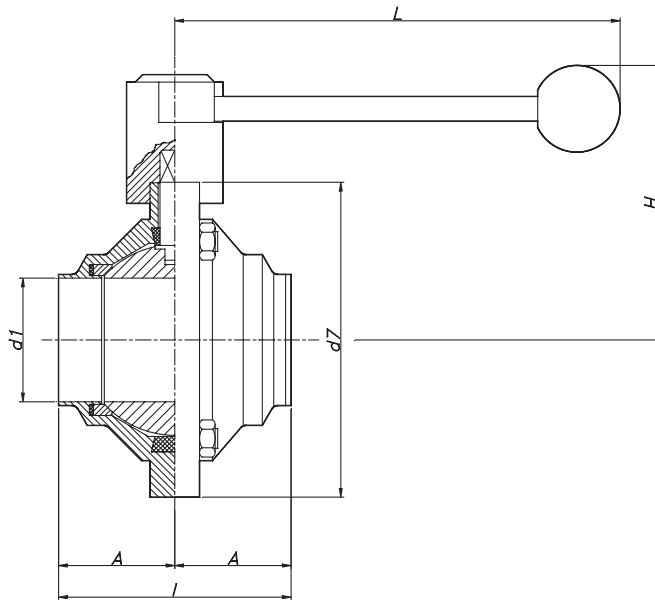
Tri-Canada

7033 Telford Way #20, Mississauga, ON L5S 1V4
Tel: 905.677.9000 • Toll Free: 1.800.486.7863
www.tricanada.com

I Technical specifications

Max.pressure 10 bar (DN 25 - 65 / DN 1" - 2 1/2")
 8 bar (DN 80 - 100 / DN 3" - 4")
 Working temperature -10 °C to +120 °C (EPDM)

| Operating torque (N.m.) | 25 - 1" | 40 - 1 1/2" | 50 - 2" | 2 1/2" | 65 | 3" | 80 | 100 - 4" |
|-------------------------|---------|-------------|---------|--------|----|----|----|----------|
| | 8 | 10 | 14 | 15 | 18 | 18 | 20 | 25 |



| DN | d1 | d7 | A | I | H | L | AISI 316L/316 |
|-----|-----|-----|----|-----|-----|-----|---------------|
| 25 | 26 | 94 | 36 | 72 | 95 | 150 | 26400025EB |
| 40 | 38 | 114 | 42 | 84 | 104 | 150 | 26400040EB |
| 50 | 50 | 131 | 49 | 98 | 112 | 150 | 26400050EB |
| 65 | 66 | 158 | 60 | 120 | 126 | 180 | 26400065EB |
| 80 | 81 | 181 | 70 | 140 | 142 | 250 | 26400080EB |
| 100 | 100 | 209 | 82 | 164 | 156 | 250 | 26400100EB |

| DN | d1 | d7 | A | I | H | L | AISI 316L/316 |
|--------|------|-----|----|-----|-----|-----|---------------|
| 1" | 22,1 | 94 | 36 | 72 | 95 | 150 | 26400010EB |
| 1 1/2" | 34,9 | 114 | 42 | 84 | 104 | 150 | 26400112EB |
| 2" | 47,6 | 131 | 49 | 98 | 112 | 150 | 26400200EB |
| 2 1/2" | 60,3 | 158 | 60 | 120 | 126 | 180 | 26400212EB |
| 3" | 72,9 | 181 | 70 | 140 | 142 | 250 | 26400300EB |
| 4" | 97,4 | 209 | 82 | 164 | 156 | 250 | 26400400EB |



The information contained in this brochure is for guidance only. We reserve the right to modify any material or feature without notice in advance. For further information, please, consult our web site. www.inoxpa.com



FT6400.1.EN-0610