

Piping Options (Double Seal)

Option "G" (Standard)

NOTE: for FPR and FP pumps only.

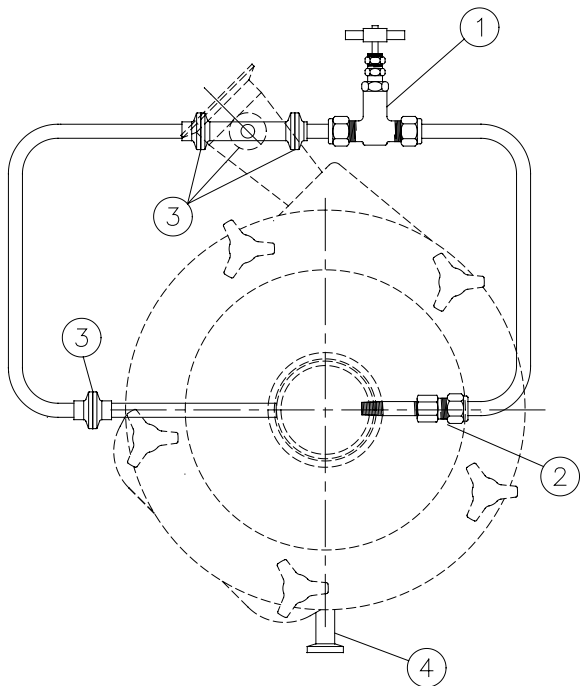
Description: WFI seal flush piping with compression fittings and needle valve on the center seal flush and clamp connections on the front seal flush. 45° left discharge is standard.

Features included:

- 1) Needle valve
- 2) Compression fittings
- 3) Clamp connections

Options:

- 4) Casing drain
- X) Rotameter



Option "A"

NOTE: for FPR and FP pumps only.

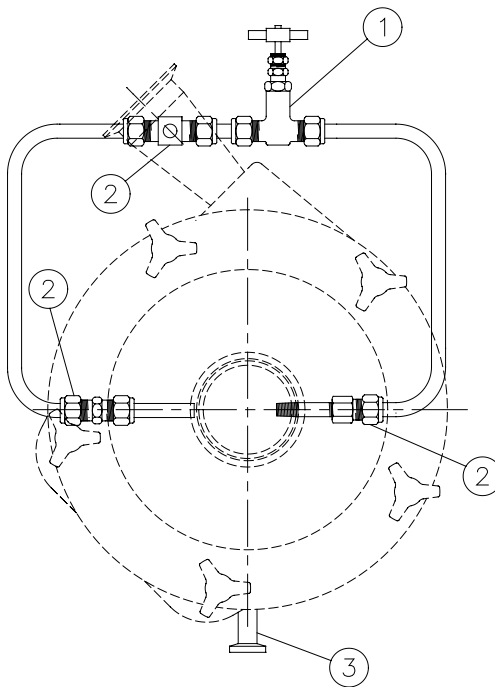
Description: WFI seal flush with compression fittings and a needle valve. 45° left discharge is standard.

Features included:

- 1) Needle valve
- 2) Compression fittings

Options:

- 3) Casing drain
- X) Rotameter



Option "B"

NOTE: for FPR and FP pumps only.

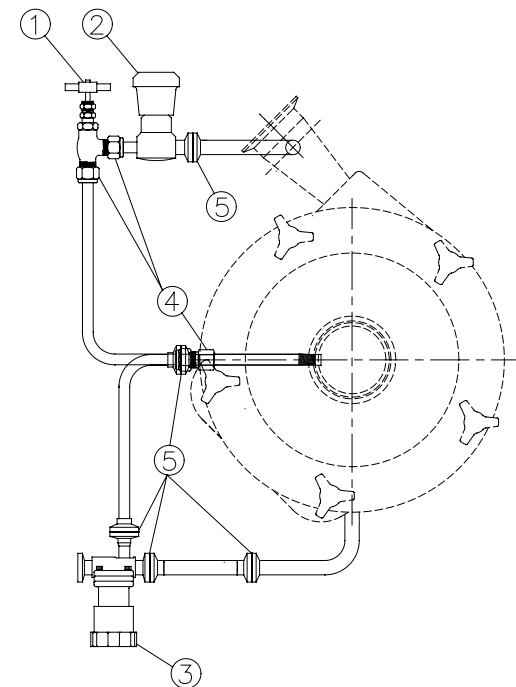
Description: Center seal flush through a needle and diaphragm valves, front seal flush through a casing drain diaphragm valve. 45° left discharge is standard.

Features included:

- 1) Needle valve with compression fittings
- 4) Compression fittings
- 5) Clamp fittings

Options:

- 2) Diaphragm valve
- 3) Casing drain diaphragm valve
- X) Rotameter



Distributed by:

Tri-Canada

7033 Telford Way #20, Mississauga, ON L5S 1V4

Tel: 905.677.9000 • Toll Free: 1.800.486.7863

www.tricanada.com

Piping Options (Single Seal)

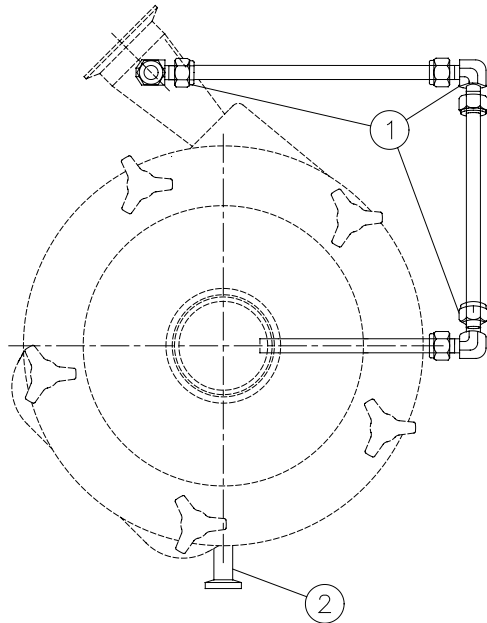
Option "C"

NOTE: for FPR, FP, and FPX pumps only.

Description: Front seal product flush with compression fittings. 45° left discharge is standard.

Features included:
1) Compression fittings

Options:
2) Casing drain



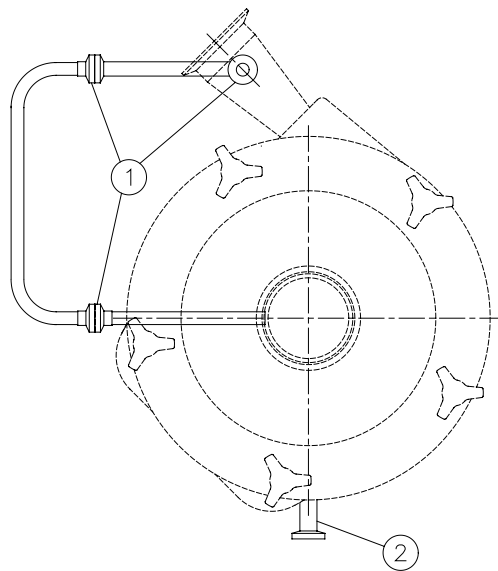
Option "D"

NOTE: for FPR, FP, and FPX pumps only.

Description: Front seal product flush with clamp connections. 45° left discharge is standard.

Features included:
1) Clamp connections

Options:
2) Casing drain



Option "E"

NOTE: for FPR, FP, and FPX pumps only.

Description: Front seal flush through a casing drain diaphragm valve. 45° left discharge is standard.

Features included:
2) Clamp fittings

Options:
1) Casing drain diaphragm valve

