

I Applications

A check valve is a valve that prevents the fluid from flowing back and ensures that it flows in only one direction. It can be used to prevent the loss of prime of the pump and to avoid pipe-hammering.

It is used in the food-processing, beverages, wine-making, oil-making, cosmetics, pharmaceutical and chemical industries

I Operating principles

The valve opens when the pressure of the fluid exceeds the pressure exerted by the pump spring. When the two pressures are equalised, the valve closes.

A stronger counter-pressure allows the valve to close.

I Design and features

Available in sizes DN-25/1" to 100/4"

Easy disassembly.

Low-size construction.

DIN -11851 connections (standard)

I Materials

Casing/shaft	AISI 316L
Spring	AISI 301
Seal	EPDM according to FDA 177.2600
Surface finishing	Ra \leq 0,8 μ m

I Options

Seals in NBR, FPM (Viton®) or PTFE. All of them according to FDA 177.2600

Connections: Solder, DIN, Clamp, SMS, RJT, FIL-IDF... ..



Distributed by:

Tri-Canada

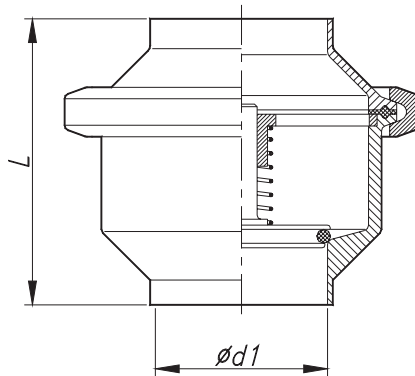
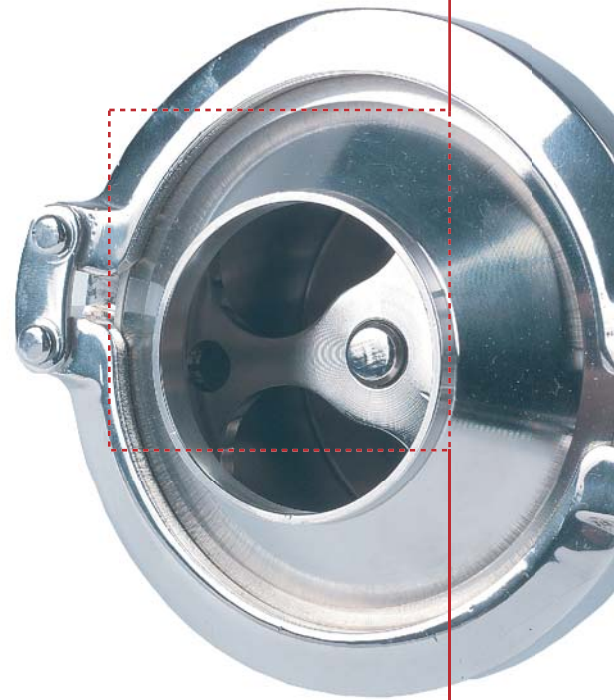
7033 Telford Way #20, Mississauga, ON L5S 1V4

Tel: 905.677.9000 • Toll Free: 1.800.486.7863

www.tricanada.com

I Technical specifications

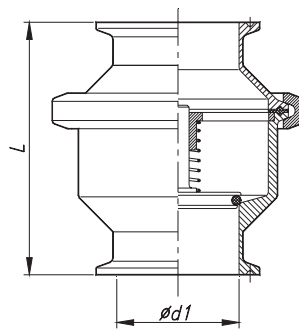
Max. pressure 10 bar
 Opening pressure 0.3 bar (DN-25)
 0.2 bar (DN-32/40)
 0.1 bar (DN-50/100)
 Working temp. -10°C to +120°C (EPDM)



DN	d1	L	AISI-316L
1"	22,1	73	272700101E
1 1/2"	34,8	80	272700112E
2"	47,5	85	272700200E
2 1/2"	60,2	110	272700212E
3"	72,9	115	272700300E
4"	97,6	125	272700400E

DN	d1	L	AISI-316L
25	26	73	272700025E
32	32	73	272700032E
40	38	80	272700040E
50	50	85	272700050E
65	66	110	272700065E
80	81	115	272700080E
100	100	125	272700100E

DN	d1	L	AISI-316L
1"	22,1	98	272717101E
1 1/2"	34,8	105	272717112E
2"	47,5	110	272717200E
2 1/2"	60,2	135	272717212E
3"	72,9	140	272717300E
4"	97,6	157	272717400E



DN	d1	L	AISI-316L
25	26	73	272710025E
32	32	73	272710032E
40	38	80	272710040E
50	50	85	272710050E
65	66	110	272710065E
80	81	115	272710080E
100	100	125	272710100E

