

The ASEPCO ASEPTIPORT Family

Attach Multiple Probes Through One Connector

The ASEPTIPORT Probe Mount Family provides cleanability and flexibility for probe attachments. We know that cleanability is one of the biggest challenges that you face on a daily basis. Whether you use the Single Port version or our AseptiPort Manifold, the sealing point for your probes is on the face of the probe mount, which makes cleaning significantly easier and more consistent than other probe mounting options.

By offering multi-probe assemblies, we give you the flexibility you need with reduced installation and maintenance costs as well as a smaller footprint in your vessel.

Flexibility is ensured by attaching the probe mounts via ASEPCO's ASEPCONNECT™ or QUICKCONNECT™ Vessel Connectors. These connectors, whether used for connecting flush-mounted probes, instruments, or valves to tanks, are easier to install and cleaner than alternative tank-attachment mechanisms.

Family Features

Clean, aseptic design

Save space by attaching multiple 12-mm probes through one connector on your tank

Save time and cost by eliminating the need for multiple holes into your vessels

So flexible you can use 12-mm probes of varying lengths

An incredibly easy sleeve mounting system that secures each probe

Screw in probes or attach with clamps

Can install blanks into any port to block the port

Can be customized to suit your needs



ASEPCO

ADVANCED ASEPTIC PROCESSING EQUIPMENT

Distributed by:

Tri-Canada

Tel: 905.677.9000 • Toll Free: 1.800.486.7863
www.tricanada.com

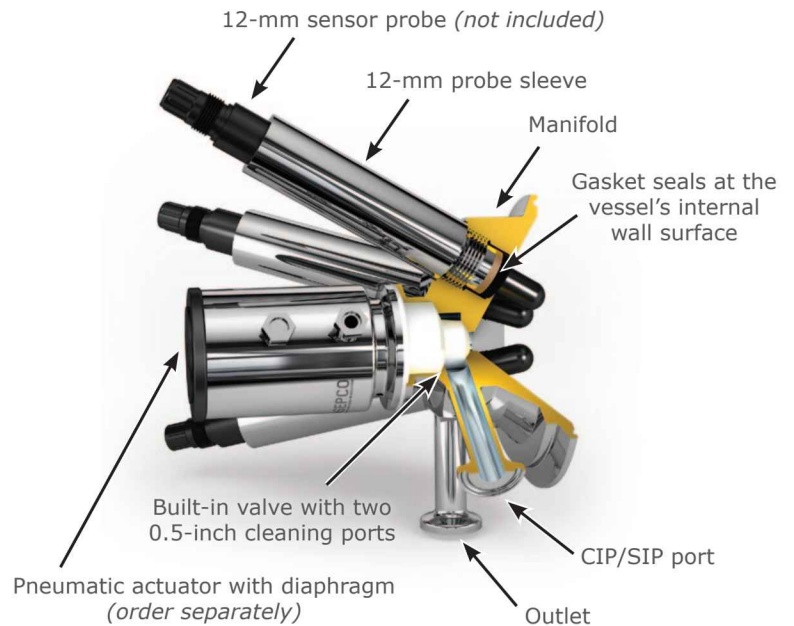
ASEPTIPORT Family Specifications

Material	316L, AL6XN, Hastelloy C-22, C-276
Surface Finish	Max 20 micro-inch Ra (0.5 µm Ra), Electropolished Max 15 micro-inch Ra (0.375 µm Ra), Electropolished Max 10 micro-inch Ra (0.25 µm Ra), Electropolished
Design Pressure	-14.5 to 101.5 psig (Maximum working pressure is determined by the design pressure of the gasket being used in the assembly.)
Design Temperature	-80 to 200°C (Maximum working temperature is determined by the design pressure of the gasket being used in the assembly.)
Marking	All ASEPTIPORT probe mounts are marked for full material traceability according to ASEPCO's ISI QA Program
ISO	All product and procedures are governed by our ISO Quality Assurance Program
Standards	BPE, CE-PED, ASME

Please contact our Customer Service Department for any non-standard valve requirement (800) 882-3886 or info@asepco.com

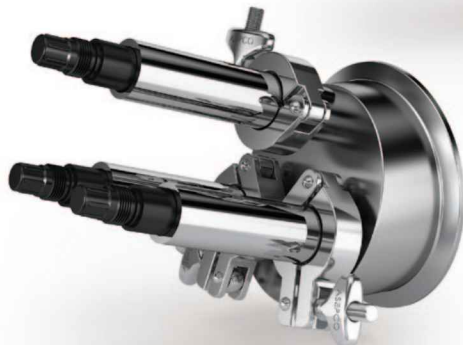
ASEPTIPORT Manifold

- Probes thread into probe sleeve
- Manifold attaches to tank via a 4-inch ASEPCONNECT or QUICKCONNECT Vessel Connector
- Standard configuration is a circular design that comes with three probe mounts and a built-in valve with two ports for SIP/CIP
- Uses our standard 0.5-inch radial-diaphragm valve
- Choose between a manual or pneumatic actuator
- Probes can be arranged in a circular or linear design
- Manifold can be configured with up to eight probes



ASEPTIPORT Tri-Probe Threaded Probe Mount

- Three probes attach to your tank in a very small footprint
- Probes easily screw into sleeves
- Probe mount attaches to the tank with a 2.5-inch ASEPCONNECT or QUICKCONNECT Vessel Connector



ASEPTIPORT Tri-Probe Clamp-style Probe Mount

- Three probes attached to your tank in a small space
- Probes easily removed with clamps
- Probe mount attaches to the tank with a 4.0-inch ASEPCONNECT or QUICKCONNECT Vessel Connector

ASEPTIPORT Single-Probe Mount

- Designed as a direct replacement for the traditional Ingold port
- By moving the sealing point of probe from inside the probe mount to the face of the probe mount, cleanability becomes significantly easier and more consistent
- A single-probe unit fits in the same space as more traditional mounts and allows you to easily attach your probe with a simple clamp
- Mount welds into the tank

