

ASEPCO Actuators for Radial diaphragm (90°) Valves

Designed for fast and easy maintenance

When we designed our actuators, we took great care in making them industry appropriate, operator friendly, and rugged enough to withstand some pretty rough treatment. If you can fasten a tri-clamp, you can easily assemble and disassemble any ASEPCO valve for inspection or maintenance, and you can do it without tools!

ASEPCO

Distributed by:

Tri-Canada

Tel: 905.677.9000 • Toll Free: 1.800.486.7863
www.tricanada.com

Features

Requires little maintenance – typically on a yearly basis

EPDM bushings and O-rings, but very few of them

All actuators meet 3A requirements

So well made, they don't need grease



Actuator options

The specific options for an actuator not only depends on the type, but also depends on the size.

Please contact ASEPCO to find out the specific options for any particular actuator.

Manual

- ▲ Colored handles
- ▲ Remote handles
- ▲ Lock-out
- ▲ 4-inch grand handle
- ▲ Stainless steel handle
- ▲ Extension handle for remote operation

Pneumatic

- ▲ Switches
- ▲ Solenoids
- ▲ Regulators
- ▲ Dual-acting positioners
- ▲ Pneumatic piping
- ▲ Fail open/closed

For Standard 90° Radial diaphragm valves:

ASEPCO Tank-bottom valve family

ASEPCO Process valve family

ASEPCO Sampling valve family

ASEPCO Takeoff valve family

Specifications

Materials

Actuator bodies	Solid-bar 304 stainless steel (can be 316L)
Diaphragm shafts	316L stainless steel
Actuator shafts	Nitronic 60 or Gall-Tough® stainless steel
O-rings	EPDM
Seals	EPDM
Bearings	Two sets of stainless steel thrust bearings in nylon cages

Instrumentation

Position indication	Position-indicating shaft provides visual confirmation of valve position
Pneumatic air connection fitting	1/8-inch NPT (autoclavable); lubrication not required

Environment

Max pressure	250 psi
Max temperature	135° C (or 275° F)

Quality

Standards	BPE, CE-PED, ASME
ISO	All product and procedures are governed by our ISO Quality Assurance Program

Please contact our Customer Service Department for any non-standard valve requirement (800) 882-3886.

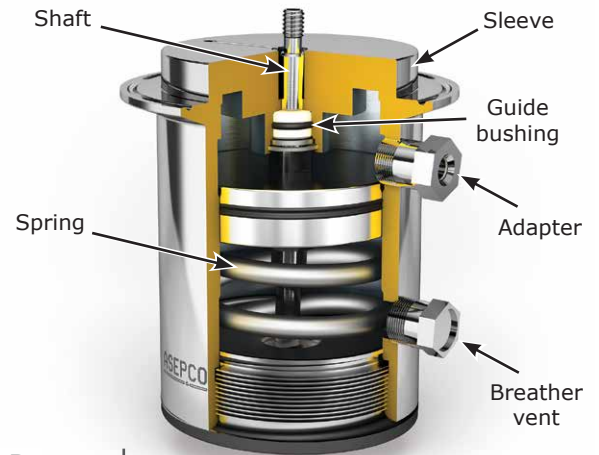
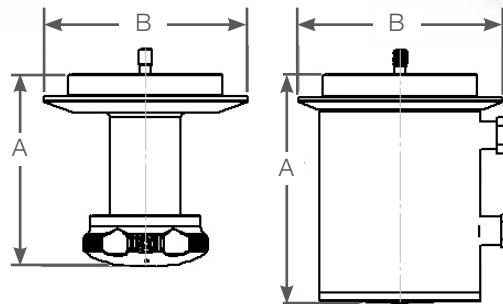
Radial diaphragm (90°) valve Actuators dimension & weight specifications



Manual actuator



Extension handle for remote operation of manual actuators



Pneumatic actuator

Manual actuators

Size	A inches (mm)	B inches (mm)	Max Travel inches (mm)	Weight lbs (kg)	Clearance Required for Removal inches (mm)
0.50	2.4 (61.0)	2.0 (50.8)	0.22 (5.6)	1.1 (0.50) (plastic handle)	3.4 (86.4)
1.00	2.8 (71.1)	3.0 (76.2)	0.31 (7.9)	2.2 (1.00) (plastic handle)	4.1 (104.1)
1.50	3.9 (99.1)	3.0 (76.2)	0.56 (14.2)	2.4 (1.09) (plastic handle)	5.6 (142.2)
2.00	4.4 (111.8)	4.7 (119.4)	0.56 (14.2)	4.7 (2.13) (plastic handle)	5.6 (142.2)
3.00	4.4 (111.8)	4.7 (119.4)	0.78 (19.8)	4.7 (2.13) (plastic handle)	7.6 (193.0)
4.00	5.5 (139.7)	6.5 (165.1)	1.00 (25.4)	13.7 (6.21) (steel handle)	9.7 (246.4)

Pneumatic actuators

Size	A inches (mm)	B inches (mm)	Max Travel inches (mm)	Weight lbs (kg)	Clearance Required for Removal inches (mm)
0.50	3.2 (81.0)	2.0 (50.8)	0.22 (5.6)	1.6 (0.73)	3.4 (86.4)
1.00	4.4 (111.0)	3.0 (76.2)	0.31 (7.9)	4.7 (2.13)	4.1 (104.1)
1.50	4.7 (119.9)	3.0 (76.2)	0.56 (14.2)	4.7 (2.13)	5.6 (142.2)
2.00	5.2 (132.1)	4.7 (119.4)	0.56 (14.2)	7.8 (3.54)	5.6 (142.2)
3.00	6.8 (172.7)	4.7 (119.4)	0.78 (19.8)	22.1 (10.02)	10.5 (266.7)
4.00	9.3 (236.7)	6.5 (165.1)	1.00 (25.4)	52.2 (23.68)	14.0 (355.6)

Distributed by:

Tri-Canada

Tel: 905.677.9000 • Toll Free: 1.800.486.7863
www.tricanada.com

Disclaimer: The information contained in this document is believed to be correct but Asepco accepts no liability for any errors it contains and reserves the right to alter specifications without notice. It is the users responsibility to ensure product suitability for use within their application. Watson-Marlow is a registered trademark. Radial diaphragm is a trademark of Asepco Corporation.