

# Hops Dosing



## Dry Hopping with the Fristam Powder Mixer

For more than 10 years, the Fristam Hops Dosing System has proved itself to be a reliable and secure method to incorporate hops into finished beer.

## Ergonomic and Safe

Its bottom-of-tank entry means no dangerous ladder climbing. No scissor lift. No bending to pour. No falling or dropping equipment from a mezzanine.

## Portable

The Fristam system is portable, with locking wheels. Easily move the system between different tanks.

## Maintain Your Beer Quality

A unique CO<sub>2</sub> blanket above the induction point ensures that oxygen exposure is minimized. The Fristam system achieves rates of  $\leq 3$ ppb dissolved oxygen (DO). The continuous feed system allows you to run a full batch without starting and stopping.

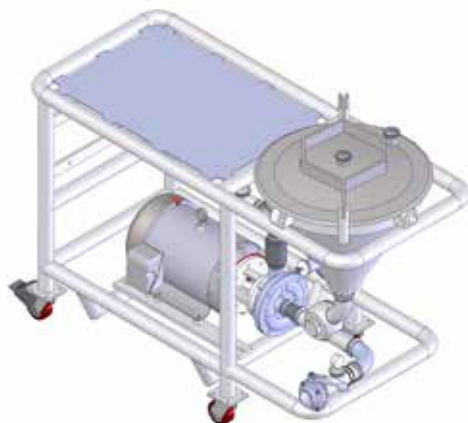
Fristam's system allows hops pellet induction with or without shear. You chose if you want to induct whole pellet hops or if you want to shred the pellets during dosing.

## Match Your Process

The versatile Fristam Hops Dosing System can:

- Incorporate whole or shredded pellets\*
- Feed from a box or bulk feed system
- Operate as an open or closed system
- Be built as a tabletop or modular version†

*\*Ask us about the pellet-shredding option that imparts more aroma with fewer hops.*



Tabletop†



Modular†

**Fristam**  
PUMPS®

*Engineered For Lasting Performance®*

mix@fristampumps.com • 1-800-841-5001

See hops incorporation in action at:  
[www.fristam.com/hops](http://www.fristam.com/hops)

Part #: 1050000276 Rev 2 2019